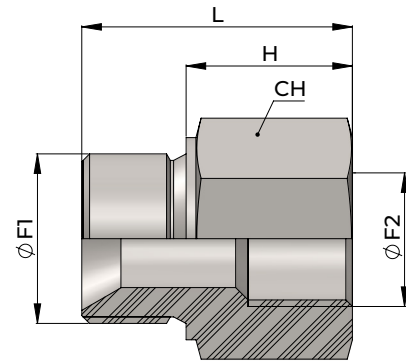




INOX AISI 316

RGG

M/F BSP REDUCING CONNECTOR
PROLUNGA DI RIDUZIONE ALTA M/F BSP



Part Number	Thread	Thread	L	H	CH
	F1	F2	mm	mm	mm
RGG018014316	1/8"-28	1/4"-19	30,0	20	19
RGG014038316	1/4"-19	3/8"-19	32	20	19
RGG014012316	1/4"-19	1/2"-14	37	22	27
RGG038012316	3/8"-19	1/2"-14	37,5	25	27
RGG038034316	3/8"-19	3/4"-14	40	27,5	32
RGG012034316	1/2"-14	3/4"-14	42	27	32
RGG012001316	1/2"-14	1"-11	45	30	41
RGG034001316	3/4"-14	1"-11	46	30	41
RGG001114316	1"-11	1.1/4"-11	55	35	50
RGG114112316	1.1/4"-11	1.1/2"-11	51	30	55
RGG112114316	1.1/2"-11	1.1/4"-11	55	33	55
RGG112002316	1.1/2"-11	2"-11	65	43	70