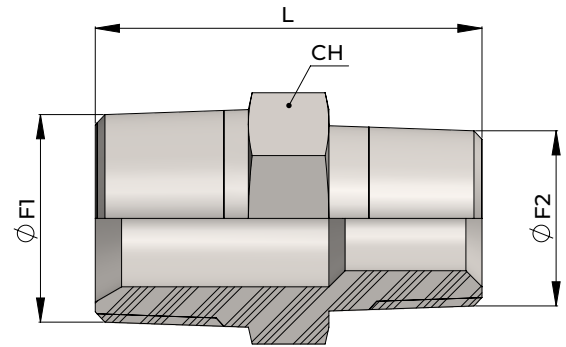




INOX AISI 316

NCC RID

BSPT/BSPT REDUCING NIPLES
 NIPLES DI RIDUZIONE BSPT/BSPT



Part Number	Thread		L mm	CH mm
	F1	F2		
NCC014018316	BSPT 1/4"-19	BSPT 1/8"-28	33	14
NCC038014316	BSPT 3/8"-19	BSPT 1/4"-19	35	19
NCC012038316	BSPT 1/2"-14	BSPT 3/8"-19	40	22
NCC034012316	BSPT 3/4"-14	BSPT 1/2"-14	46	27
NCC001034316	BSPT 1"-11	BSPT 3/4"-14	54	36
NCC114001316	BSPT 1.1/4"-11	BSPT 1"-11	61	46
NCC112114316	BSPT 1.1/2"-11	BSPT 1.1/4"-11	64	50