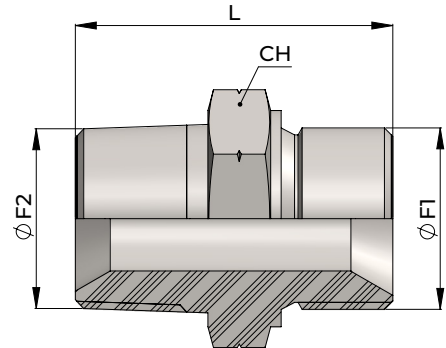




INOX AISI 316

NGN

BSP/NPT NIPLES
NIPLES DI CONGIUNZIONE BSP/NPT



Part Number	Thread		L mm	CH mm
	F1	F2		
NGN018018316	BSP 1/8"-28	NPT 1/8"-27	27	14
NGN014014316	BSP 1/4"-19	NPT 1/4"-18	33,2	19
NGN038038316	BSP 3/8"-19	NPT 3/8"-18	34,7	22
NGN012012316	BSP 1/2"-14	NPT 1/2"-14	44	27
NGN034034316	BSP 3/4"-14	NPT 3/4"-14	44,5	32
NGN001001316	BSP 1"-11	NPT 1"-11 1/2	56,5	41
NGN114114316	BSP 1.1/4"-11	NPT 1.1/4"-11 1/2	59	50
NGN112112316	BSP 1.1/2"-11	NPT 1.1/2"-11 1/2	63,4	55
NGN002002316	BSP 2"-11	NPT 2"-11 1/2	71	70
NGN212212316	BSP 2.1/2"-11	NPT 2.1/2"-11 1/2	86	85