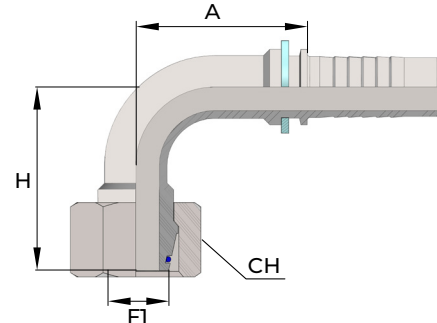




INOX AISI 316

FE9 - DKOS

METRIC 90° FEMALE 24° FLARE HEAVY TYPE
FEMMINA METRICA 90° S.V.24° DKOL PESANTE



Part Number	Thread	DIN 24°	Hose ID		CH	H	cut-off=A
	F1		size	mm			
FE906S316316	14x1.5	6S	3/16"	4,8	17	28	29
FE906S014316	14x1.5	6S	1/4"	6,4	17	30	27
FE908S316316	16x1.5	8S	3/16"	4,8	19	28	29
FE908S014316	16x1.5	8S	1/4"	6,4	19	32	27
FE908S516316	16x1.5	8S	5/16"	8,0	19	32	27
FE908S038316	16x1.5	8S	3/8"	9,5	19	32	30
FE910S014316	18x1.5	10S	1/4"	6,4	22	32	27
FE910S516316	18x1.5	10S	5/16"	8,0	22	33	27
FE910S038316	18x1.5	10S	3/8"	9,5	22	33	30
FE912S014316	20x1.5	12S	1/4"	6,4	24	35	27
FE912S516316	20x1.5	12S	5/16"	8,0	24	35	27
FE912S038316	20x1.5	12S	3/8"	9,5	24	40	30
FE912S012316	20x1.5	12S	1/2"	12,7	24	47	39
FE914S516316	22x1.5	14S	5/16"	8,0	27	38	27
FE914S038316	22x1.5	14S	3/8"	9,5	27	38	30
FE914S012316	22x1.5	14S	1/2"	12,7	27	43	39
FE916S038316	24x1.5	16S	3/8"	9,5	30	39	30
FE916S012316	24x1.5	16S	1/2"	12,7	30	42	39
FE916S058316	24x1.5	16S	5/8"	16,0	30	45	44
FE920S012316	30x2	20S	1/2"	12,7	36	49	39
FE920S058316	30x2	20S	5/8"	16,0	36	51	46
FE920S034316	30x2	20S	3/4"	19,0	36	55	51
FE925S058316	36x2	25S	5/8"	16,0	46	60	44
FE925S034316	36x2	25S	3/4"	19,0	46	61	51
FE925S001316	36x2	25S	1"	25,4	46	67	58
FE930S001316	42x2	30S	1"	25,4	50	68	62
FE930S114316	45x2	30S	1.1/4"	31,8	50	78	77
FE938S114316	52x2	38S	1.1/4"	31,8	60	78	80
FE938S112316	52x2	38S	1.1/2"	38,1	60	85	97