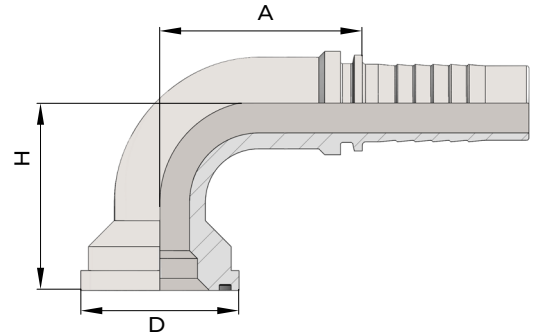




INOX AISI 316

F93

90° FLANGE SAE 3000
FLANGIA 90° SAE 3000


Part Number	FLANGIA	Hose ID		FLANGIA=D	H	cut-off=A
	size	size	mm	mm	mm	mm
Part Number	FLANGIA	Hose ID		FLANGIA=D	H	cut-off=A
	size	size	mm	mm	mm	mm
F93012012316	1/2"	1/2"	12,7	30,2	44	41
F93034012316	3/4"	1/2"	12,7	38,1	44	51
F93034034316	3/4"	3/4"	19,0	38,1	51	51
F93001034316	1"	3/4"	19,0	44,5	54	51
F93001001316	1"	1"	25,4	44,5	62	58
F93114001316	1.1/4"	1"	25,4	50,8	70	58
F93114114316	1.1/4"	1.1/4"	31,8	50,8	75	77
F93112114316	1.1/2"	1.1/4"	31,8	60,4	75	77
F93112112316	1.1/2"	1.1/2"	38,1	60,4	107	95
F93002112316	2"	1.1/2"	38,1	71,4	107	95
F93002002316	2"	2"	50,8	71,4	125	136
F93212002316	2.1/2"	2"	50,8	84,1	128	136
F93212212316*	2.1/2"	2.1/2"	63,0	84,1		
F93003003316*	3"	3"	76,0	101,6		

*CURVA SALDATA | * WELDED BEND