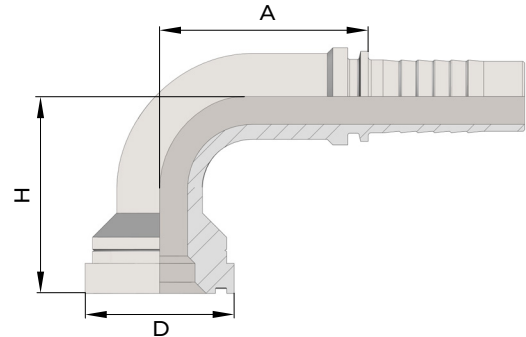




INOX AISI 316

F96

90° FLANGE SAE 6000
 FLANGIA 90° SAE 6000



Part Number	FLANGIA	Hose ID		FLANGIA=D	H	cut-off=A
	size	size	mm	mm	mm	mm
F96012012316	1/2"	1/2"	12,7	31,8	41	41
F96034012316	3/4"	1/2"	12,7	41,3	41	51
F96034034316	3/4"	3/4"	19	41,3	55	51
F96001034316	1"	3/4"	19	47,6	60	51
F96001001316	1"	1"	25,4	47,6	66	58
F96114001316	1.1/4"	1"	25,4	54	73	58
F96114114316	1.1/4"	1.1/4"	31,8	54	76	76
F96112114316	1.1/2"	1.1/4"	31,8	63,5	76	76
F96112112316	1.1/2"	1.1/2"	38,1	63,5	107	95
F96002112316	2"	1.1/2"	38,1	79,4	118	95
F96002002316	2"	2"	50,8	79,4	133	140