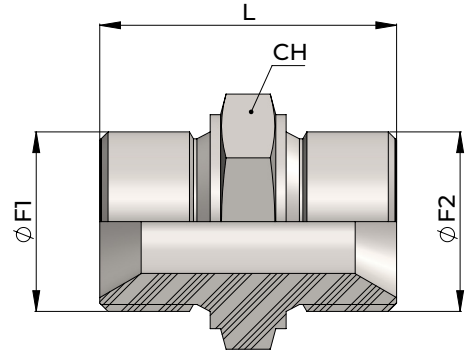




INOX AISI 316

NIP

BSP NIPLES
NIPLES DI CONGIUNZIONE BSP


Part Number	Thread		L mm	CH mm
	F1	F2		
NIP018018316	BSP 1/8"-28	BSP 1/8"-28	27	14
NIP014014316	BSP 1/4"-19	BSP 1/4"-19	32	19
NIP038038316	BSP 3/8"-19	BSP 3/8"-19	33	22
NIP012012316	BSP 1/2"-14	BSP 1/2"-14	41	27
NIP058058316	BSP 5/8"-14	BSP 5/8"-14	42	30
NIP034034316	BSP 3/4"-14	BSP 3/4"-14	43	32
NIP001001316	BSP 1"-11	BSP 1"-11	53	41
NIP114114316	BSP 1.1/4"-11	BSP 1.1/4"-11	59	50
NIP112112316	BSP 1.1/2"-11	BSP 1.1/2"-11	60	55
NIP002002316	BSP 2"-11	BSP 2"-11	70	70
NIP212212316	BSP 2.1/2"-11	BSP 2.1/2"-11	75	85
NIP003003316	BSP 3"-11	BSP 3"-11	80	100