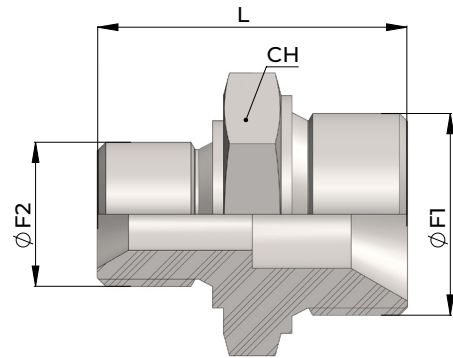




INOX AISI 316

# NIP RID

**BSP REDUCTION NIPLES**  
**NIPLES DI RIDUZIONE BSP**



Part Number	Thread	Thread	L	CH
	F1	F2	mm	mm
NIP014018316	BSP 1/4"-19	BSP 1/8"-28	31	19
NIP038018316	BSP 3/8"-19	BSP 1/8"-28	31	22
NIP038014316	BSP 3/8"-19	BSP 1/4"-19	33	22
NIP012014316	BSP 1/2"-14	BSP 1/4"-19	37	27
NIP012038316	BSP 1/2"-14	BSP 3/8"-19	38	27
NIP058012316	BSP 5/8"-14	BSP 1/2"-14	40	30
NIP034014316	BSP 3/4"-14	BSP 1/4"-19	38	32
NIP034038316	BSP 3/4"-14	BSP 3/8"-19	38	32
NIP034012316	BSP 3/4"-14	BSP 1/2"-14	43	32
NIP034058316	BSP 3/4"-14	BSP 5/8"-14	43	32
NIP001012316	BSP 1"-11	BSP 1/2"-14	47	41
NIP001034316	BSP 1"-11	BSP 3/4"-14	49	41
NIP114034316	BSP 1.1/4"-11	BSP 3/4"-14	53	50
NIP114001316	BSP 1.1/4"-11	BSP 1"-11	56	50
NIP112034316	BSP 1.1/2"-11	BSP 3/4"-14	55	55
NIP112001316	BSP 1.1/2"-11	BSP 1"-11	56	55
NIP112114316	BSP 1.1/2"-11	BSP 1.1/4"-11	59	55
NIP002001316	BSP 2"-11	BSP 1"-11	64	70
NIP002114316	BSP 2"-11	BSP 1:1/4"-11	66	70
NIP002112316	BSP 2"-11	BSP 1.1/2"-11	68	70
NIP212002316	BSP 2.1/2"-11	BSP 2"	74	85
NIP003212316	BSP 3"	BSP 2.1/2"-11	78	100