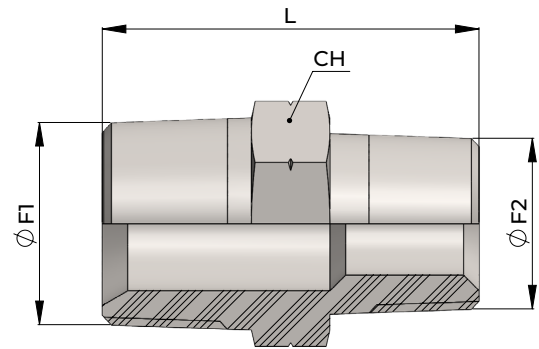




INOX AISI 316

# NNN RID

NPT/NPT REDUCING NIPLES  
 NIPLES DI RIDUZIONE NPT/NPT



Part Number	Thread		L mm	CH mm
	F1	F2		
NNN014018316	NPT 1/4"-18	NPT 1/8"-27	32	14
NNN038014316	NPT 3/8"-18	NPT 1/4"-18	36,5	19
NNN012014316	NPT 1/2"-14	NPT 1/4"-18	43	22
NNN012038316	NPT 1/2"-14	NPT 3/8"-18	43,7	22
NNN034038316	NPT 3/4"-14	NPT 3/8"-18	47,5	27
NNN034012316	NPT 3/4"-14	NPT 1/2"-14	50	27
NNN001012316	NPT 1"-11	NPT 1/2"-14	54	36
NNN001034316	NPT 1"-11	NPT 3/4"-14	54,2	36