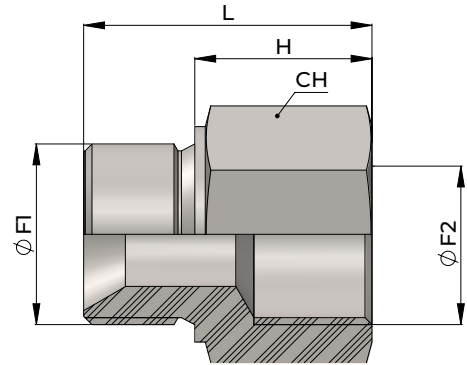




INOX AISI 316

**PGG**
**M/F BSP CONNECTOR  
 PROLUNGA M/F BSP**


Part Number	Thread	Thread	L	H	CH
	F1	F2	mm	mm	mm
PGG018015316	1/8"-28	1/8"-28	25	15	14
PGG018020316	1/8"-28	1/8"-28	30	20	14
PGG018030316	1/8"-28	1/8"-28	40	30	14
PGG014020316	1/4"-19	1/4"-19	32	20	19
PGG014035316	1/4"-19	1/4"-19	47	35	19
PGG014050316	1/4"-19	1/4"-19	62	50	19
PGG038020316	3/8"-19	3/8"-19	32	20	22
PGG038035316	3/8"-19	3/8"-19	47	35	22
PGG038050316	3/8"-19	3/8"-19	63	50	22
PGG012025316	1/2"-14	1/2"-14	40	25	27
PGG012035316	1/2"-14	1/2"-14	50	35	27
PGG012050316	1/2"-14	1/2"-14	65	50	27
PGG034030316	3/4"-14	3/4"-14	46	30	32
PGG034045316	3/4"-14	3/4"-14	61	45	32
PGG034060316	3/4"-14	3/4"-14	76	60	32
PGG001030316	1"-11	1"-11	50	30	41
PGG001050316	1"-11	1"-11	70	50	41
PGG001070316	1"-11	1"-11	90	70	41
PGG114030316	1.1/4"-11	1.1/4"-11	51	30	50
PGG114050316	1.1/4"-11	1.1/4"-11	71	50	50
PGG114070316	1.1/4"-11	1.1/4"-11	91	70	50
PGG112035316	1.1/2"-11	1.1/2"-11	57	35	55
PGG112050316	1.1/2"-11	1.1/2"-11	72	50	55
PGG112070316	1.1/2"-11	1.1/2"-11	92	70	55
PGG002040316	2"-11	2"-11	67	40	70
PGG002060316	2"-11	2"-11	87	60	70
PGG002070316	2"-11	2"-11	97	70	70