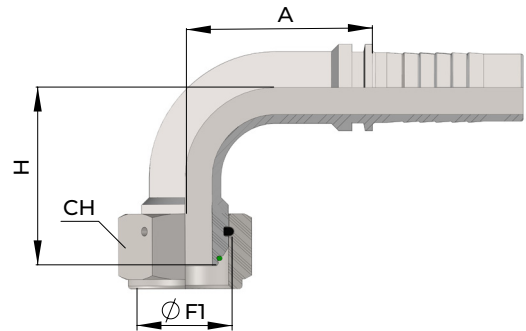




INOX AISI 316

F90-F9R

BSP 90° FEMALE 60° FLARE THRUST WIRE NUT
FEMMINA BSP 90° S.V.60° DADO SPINATO



Part Number	Thread	Hose ID		CH	H	cut-off=A	O-RING VITON
	F1	size	mm	mm	mm	mm	
F90018018316*	1/8"-24	1/8"	3,7	14	30	25	NO
F90018316316*	1/8"-24	3/16"	4,8	14	30	25	NO
F90014316316	1/4"-19	3/16"	4,8	19	30	26	NO
F90014014316	1/4"-19	1/4"	6,4	19	30	26	NO
F90014516316	1/4"-19	5/16"	8,0	19	32	26	NO
F90014038316	1/4"-19	3/8"	9,5	19	32	26	NO
F90038014316	3/8"-19	1/4"	6,4	22	32	26	NO
F90038516316	3/8"-19	5/16"	8,0	22	33	28	NO
F90038038316	3/8"-19	3/8"	9,5	22	35	32	NO
F90038012316	3/8"-19	1/2"	12,7	22	35	32	NO
F9R012038316	1/2"-14	3/8"	9,5	27	44	37	SI
F9R012012316	1/2"-14	1/2"	12,7	27	44	39	SI
F9R012058316	1/2"-14	5/8"	16,0	27	44	39	SI
F9R058012316	5/8"-14	1/2"	12,7	30	47	41	SI
F9R058058316	5/8"-14	5/8"	16,0	30	47	46	SI
F9R034012316	3/4"-14	1/2"	12,7	32	53	41	SI
F9R034058316	3/4"-14	5/8"	16,0	32	53	46	SI
F9R034034316	3/4"-14	3/4"	19,0	32	53	50	SI
F9R001034316	1"-11	3/4"	19,0	38	66	46	SI
F9R001001316	1"-11	1"	25,4	38	66	65	SI
F9R114001316	1.1/4"-11	1"	25,4	50	70	66	SI
F9R114114316	1.1/4"-11	1.1/4"	31,8	50	78	75	SI
F9R112114316	1.1/2"-11	1.1/4"	31,8	55	87	77	SI
F9R112112316	1.1/2"-11	1.1/2"	38,1	55	104	102	SI
F9R002112316	2"-11	1.1/2"	38,1	70	114	105	SI
F9R002002316	2"-11	2"	50,8	70	138	122	SI
F9R212002316	2.1/2"-11	2"	50,8	85	140	135	SI
F9R212212316 **	2.1/2"-11	2.1/2"	63,0	85	114	102	SI
F9R003212316 **	3"-11	2.1/2"	63,0	100	120	130	SI
F9R003003316 **	3"-11	3"	76,0	100	135	130	SI

* DADO PRESSATO | PRESSED NUT
 ** CURVA SALDATA | ** WELDED BEND