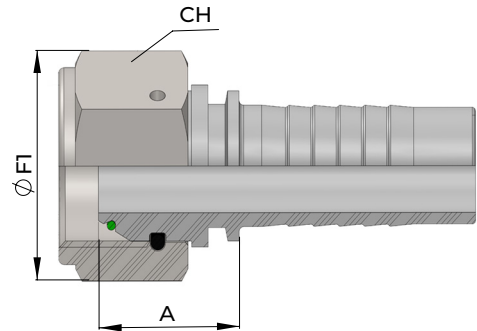




INOX AISI 316

# FDO-FDR

**BSP FEMALE 60° FLARE THRUST WIRE NUT**  
**FEMMINA BSP S.V.60° DADO SPINATO**



Part Number	Thread	Hose ID		CH	cut-off=A	O-RING VITON
	F1	size	mm	mm	mm	
FDO018018316*	1/8"-24	1/8"	3,7	14	17	NO
FDO018316316*	1/8"-24	3/16"	4,8	14	17	NO
FDO014316316	1/4"-19	3/16"	4,8	19	20	NO
FDO014014316	1/4"-19	1/4"	6,4	19	20	NO
FDO014516316	1/4"-19	5/16"	8,0	19	20	NO
FDO014038316	1/4"-19	3/8"	9,5	19	20	NO
FDO038014316	3/8"-19	1/4"	6,4	22	21	NO
FDO038516316	3/8"-19	5/16"	8,0	22	21	NO
FDO038038316	3/8"-19	3/8"	9,5	22	21	NO
FD0038012316	3/8"-19	1/2"	12,7	22	22	NO
FDR012038316	1/2"-14	3/8"	9,5	27	22	SI
FDR012012316	1/2"-14	1/2"	12,7	27	22	SI
FDR012058316	1/2"-14	5/8"	16,0	27	22	SI
FDR058012316	5/8"-14	1/2"	12,7	30	25	SI
FDR058058316	5/8"-14	5/8"	16,0	30	25	SI
FDR034012316	3/4"-14	1/2"	12,7	32	26	SI
FDR034058316	3/4"-14	5/8"	16,0	32	26	SI
FDR034034316	3/4"-14	3/4"	19,0	32	26	SI
FDR001034316	1"-11	3/4"	19,0	38	29	SI
FDR001001316	1"-11	1"	25,4	38	29	SI
FDR114001316	1.1/4"-11	1"	25,4	50	35	SI
FDR114114316	1.1/4"-11	1.1/4"	31,8	50	35	SI
FDR112114316	1.1/2"-11	1.1/4"	31,8	55	35	SI
FDR112112316	1.1/2"-11	1.1/2"	38,1	55	35	SI
FDR002112316	2"-11	1.1/2"	38,1	70	35	SI
FDR002002316	2"-11	2"	50,8	70	38	SI
FDR212002316	2.1/2"-11	2"	50,8	85	38	SI
FDR212212316	2.1/2"-11	2.1/2"	63,0	85	41	SI
FDR003212316	3"-11	2.1/2"	63,0	100	42	SI
FDR003003316	3"-11	3"	76,0	100	45	SI

\* DADO PRESSATO | PRESSED NUT