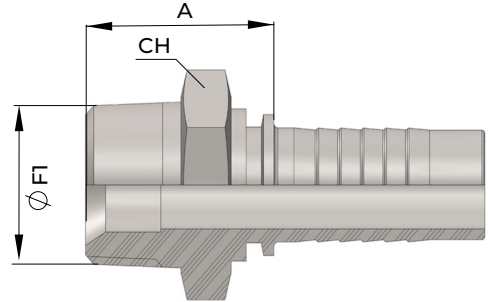




INOX AISI 316

MGC

BSPT TAPERED MALE 60° FLARE
MASCHIO BSPT CONICO S.V.60°



Part Number	Thread	Hose ID		CH	cut-off=A
	FI	size	mm	mm	mm
MGC018018316	1/8"-28	3/16"	4,8	12	22
MGC018014316	1/8"-28	1/4"	6,4	12	22
MGC014316316	1/4"-19	3/16"	4,8	14	28
MGC014014316	1/4"-19	1/4"	6,4	14	28
MGC014014316	1/4"-19	5/16"	8,0	14	28
MGC014038316	1/4"-19	3/8"	9,5	17	28
MGC038014316	3/8"-19	1/4"	6,4	17	28
MGC038516316	3/8"-19	5/16"	8,0	17	28
MGC038038316	3/8"-19	3/8"	9,5	17	28
MGC012038316	1/2"-14	3/8"	9,5	22	29
MGC012012316	1/2"-14	1/2"	12,7	22	33
MGC012058316	1/2"-14	5/8"	16,0	22	34
MGC058012316	5/8"-14	1/2"	12,7	24	35
MGC058058316	5/8"-14	5/8"	16,0	24	35
MGC034012316	3/4"-14	1/2"	12,7	27	36
MGC034058316	3/4"-14	5/8"	16,0	27	37
MGC034034316	3/4"-14	3/4"	19,0	27	32
MGC001034316	1"-11	3/4"	19,0	36	43
MGC001001316	1"-11	1"	25,4	36	43
MGC114001316	1.1/4"-11	1"	25,4	46	44
MGC114114316	1.1/4"-11	1.1/4"	31,8	46	47
MGC112114316	1.1/2"-11	1.1/4"	31,8	50	50
MGC112112316	1.1/2"-11	1.1/2"	38,1	50	50
MGC002112316	2"-11	1.1/2"	50,8	60	55
MGC002002316	2"-11	2"	50,8	60	55
MGC212212316	2.1/2"-11	2.1/2"	64,6	75	55
MGC003003316	3"	3"	76,7	90	60