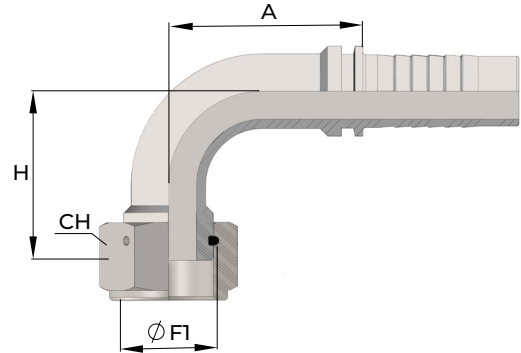




INOX AISI 316

F9P

FEMALE 90° BSP 60° WITH STAPLED NUT
FEMMINA BSP 90° S.V.60° DADO SPINATO



Part Number	Thread	Hose ID		CH mm	H mm	cut-off=A mm
	FI	size	mm			
F9P0018018316*	1/8"-24	1/8"	3,7	14	30	25
F9P0018316316*	1/8"-24	3/16"	4,8	14	30	25
F9P0014316316	1/4"-19	3/16"	4,8	19	30	26
F9P0014014316	1/4"-19	1/4"	6,4	19	30	26
F9P0014516316	1/4"-19	5/16"	8,0	19	32	26
F9P0014038316	1/4"-19	3/8"	9,5	19	32	26
F9P0038014316	3/8"-19	1/4"	6,4	22	32	26
F9P0038516316	3/8"-19	5/16"	8,0	22	33	27
F9P0038038316	3/8"-19	3/8"	9,5	22	35	27
F9P0038012316	3/8"-19	1/2"	12,7	22	35	29
F9P012038316	1/2"-14	3/8"	9,5	27	44	29
F9P012012316	1/2"-14	1/2"	12,7	27	44	38
F9P012058316	1/2"-14	5/8"	16,0	27	44	43
F9P058012316	5/8"-14	1/2"	12,7	30	47	38
F9P058058316	5/8"-14	5/8"	16,0	30	47	43
F9P034012316	3/4"-14	1/2"	12,7	32	53	38
F9P034058316	3/4"-14	5/8"	16,0	32	53	43
F9P034034316	3/4"-14	3/4"	19,0	32	53	50
F9P001034316	1"-11	3/4"	19,0	38	66	50
F9P001001316	1"-11	1"	25,4	38	66	57
F9P114001316	1.1/4"-11	1"	25,4	50	70	57
F9P114114316	1.1/4"-11	1.1/4"	31,8	50	78	71
F9P112114316	1.1/2"-11	1.1/4"	31,8	55	87	71
F9P112112316	1.1/2"-11	1.1/2"	38,1	55	104	96
F9PR002112316	2"-11	1.1/2"	38,1	70	114	96
F9P002002316	2"-11	2"	50,8	70	138	125
F9P212002316	2.1/2"-11	2"	50,8	85	140	125
F9P212212316**	2.1/2"-11	2.1/2"	63,0	85	114	105
F9P003212316**	3"-11	2.1/2"	63,0	100	120	130
F9P003003316**	3"-11	3"	76,0	100	135	130

* DADO PRESSATO | PRESSED NUT
 ** CURVA SALDATA | ** WELDED BEND