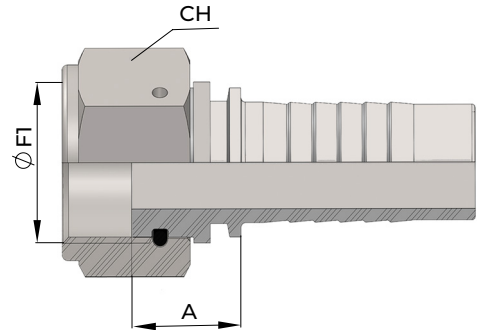




INOX AISI 316

# FDP

**FEMALE BSP FLAT SEAT WITH BARBED NUT**  
**FEMMINA BSP SEDE PIANA CON DADO SPINATO**



Part Number	Thread	Hose ID		CH	cut-off=A
	FI	size	mm	mm	mm
FDP018018316*	1/8"-24	1/8"	3,7	14	16
FDP018316316*	1/8"-24	3/16"	4,8	14	17
FDP014316316	1/4"-19	3/16"	4,8	19	20
FDP014014316	1/4"-19	1/4"	6,4	19	20
FDP014516316	1/4"-19	5/16"	8,0	19	20
FDP014038316	1/4"-19	3/8"	9,5	19	20
FDP038014316	3/8"-19	1/4"	6,4	22	21
FDP038516316	3/8"-19	5/16"	8,0	22	21
FDP038038316	3/8"-19	3/8"	9,5	22	21
FDP038012316	3/8"-19	1/2"	12,7	22	22
FDP012038316	1/2"-14	3/8"	9,5	27	22
FDP012012316	1/2"-14	1/2"	12,7	27	22
FDP012058316	1/2"-14	5/8"	16,0	27	22
FDP058012316	5/8"-14	1/2"	12,7	30	25
FDP058058316	5/8"-14	5/8"	16,0	30	25
FDP034012316	3/4"-14	1/2"	12,7	32	26
FDP034058316	3/4"-14	5/8"	16,0	32	26
FDP034034316	3/4"-14	3/4"	19,0	32	26
FDP001034316	1"-11	3/4"	19,0	38	29
FDP001001316	1"-11	1"	25,4	38	29
FDP114001316	1.1/4"-11	1"	25,4	50	35
FDP114114316	1.1/4"-11	1.1/4"	31,8	50	35
FDP112114316	1.1/2"-11	1.1/4"	31,8	55	35
FDP112112316	1.1/2"-11	1.1/2"	38,1	55	35
FDP002112316	2"-11	1.1/2"	38,1	70	35
FDP002002316	2"-11	2"	50,8	70	38
FDP212002316	2.1/2"-11	2"	50,8	85	38
FDP212212316	2.1/2"-11	2.1/2"	63,0	85	41
FDP003212316	3"-11	2.1/2"	63,0	100	42
FDP003003316	3"-11	3"	76,0	100	45

\* DADO PRESSATO | PRESSED NUT